

Fig. 1

- Elevated socket strips are available in 5 different heights:
 - 316...006 uses pin # 0153-1
 - 316...003 uses pin # 0153-2
 - 316...007 uses pin # 0153-3
 - 316...008 uses pin # 0153-4
 - 316...001 uses pin # 0153-5
 See page 138 for details.
- Hi-Rel, 4-finger BeCu #30 contact is rated at 3 amps. See page 218 for details.
- Insulators are high temp. thermoplastic.

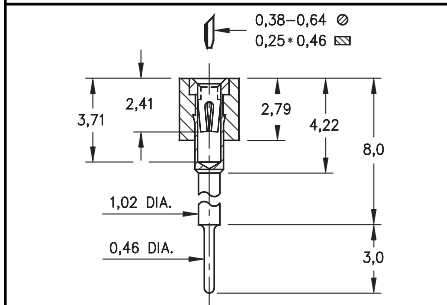
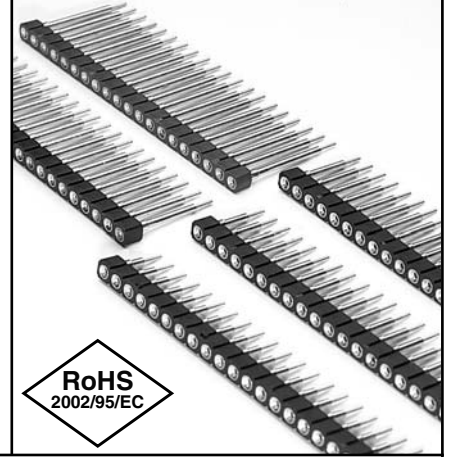


Fig. 2

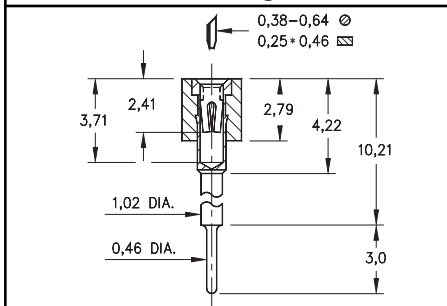


Fig. 3

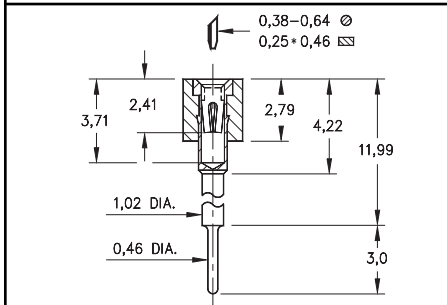


Fig. 4

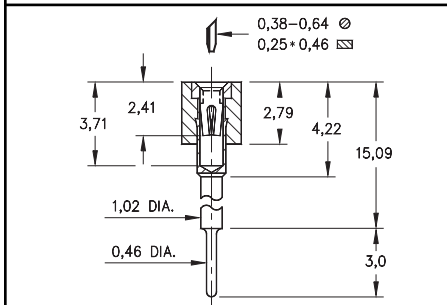


Fig. 5

Ordering Information

Fig. 1	Series 316...006	Standoff Height = 5,99
	316-XX-1__-41-006000	Specify # of pins → 01-64
Fig. 2	Series 316...003	Standoff Height = 8,0
	316-XX-1__-41-003000	Specify # of pins → 01-64
Fig. 3	Series 316...007	Standoff Height = 10,21
	316-XX-1__-41-007000	Specify # of pins → 01-64
Fig. 4	Series 316...008	Standoff Height = 11,99
	316-XX-1__-41-008000	Specify # of pins → 01-64
Fig. 5	Series 316...001	Standoff Height = 15,09
	316-XX-1__-41-001000	Specify # of pins → 01-64

For Electrical, Mechanical & Environmental Data, See pg. 4

XX=Plating Code See Below

For RoHS compliance select \diamond plating code.

SPECIFY PLATING CODE XX=		93			43 \diamond
Sleeve (Pin)		5,08µm Sn/Pb			5,08µm Sn
Contact (Clip)		0,76µm Au			0,76µm Au